

PROBE
RAINSCREEN FACADE SYSTEMS



PRODUCT CATALOG

Probe Facade Systems has been supplying energy-efficient cost-effective natural stone rainscreen facades since 2000. In addition to natural stone, Probe now offers a wide variety of facade materials as well - porcelain, fiber cement, large format porcelain, recycled glass and terracotta panels.

We supply the complete aluminum support system along with hidden stainless steel undercut anchors including all screws and rivets needed to fasten the system to the structure. We have wallholders for use with metal studs and masonry substrates.

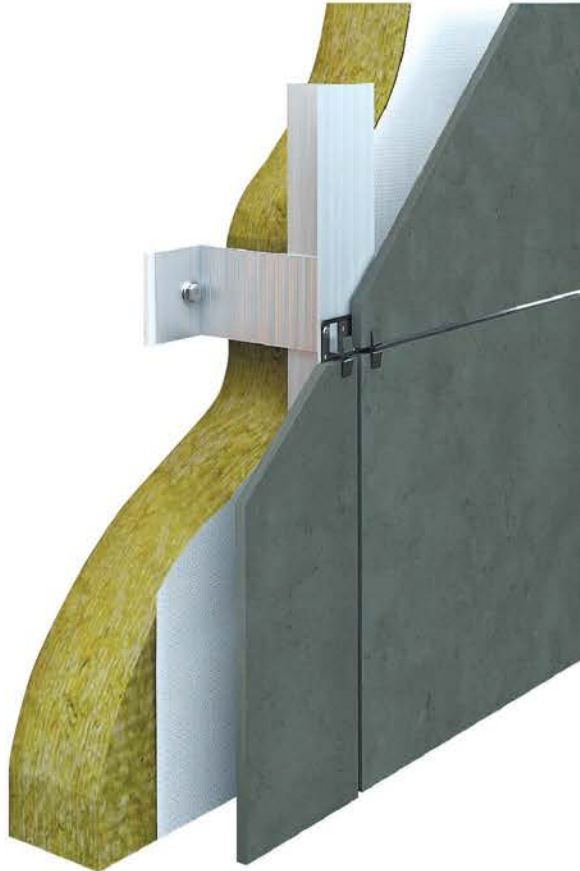
We support your project from design through construction providing technical assistance, pricing on all components, engineering support, CAD layouts and finally, the delivery of the material needed for your project.



Contents

PFS-v-100 with Visible Clamps	3
PFS-v-20 with Undercut Anchors	4
PFS-v-20 with Undercut Anchors and Trag Profiles	5
PFS-v-20 Kerf.	6
PFS-v-350 Terracotta	7
PFS-v-300 Large Format Porcelain	8
PFS - Floor to Floor Strongback System	9
Bracket Light	10
System One	11
Projects	12
Components	13 - 40
Undercut Anchors for Natural Stone, Porcelain, etc.	41 - 45

PFS-v-100 WITH VISIBLE CLAMPS VISIBLE FIXING OF CERAMIC TILES



Five standard sizes of visible clamps are available for fixing panels of various thicknesses: 8, 10, 12, 13.5 and 16mm. In our product range, there are special purpose clamps that can be used without referencing the layout of the tiles with the joint between vertical guides and that help to prevent horizontal displacement of tiles. 1200 × 600mm tiles (4' × 2') can be secured with four lugs.

Maximum Panel Sizes:

1000 × 1000mm; 1200 × 600mm
(horizontally and vertically)

Offset of cladding from the wall surface ranges from 58 to 519mm.

Mounting Configuration of Brackets:

Standard can mount to the wall.
Interfloor can mount to the floor slabs.

PFS-v-20 CONCEALED FIXING OF PANELS WITH UNDERCUT ANCHORS



Depending on the selected cladding material, panels can be secured with the use of undercut anchors. Panels can run vertically, horizontally, in stacked bond and in running bond. Minimum joint size is 2mm.

Panels can be placed at any angle in the vertical plane. Quick mounting and removal of panels is possible.

Cladding material can be ceramics, porcelains, natural stone, recycled glass and fiber cement.

Maximum Panel Sizes:

4300mm × 2200mm both horizontally and vertically

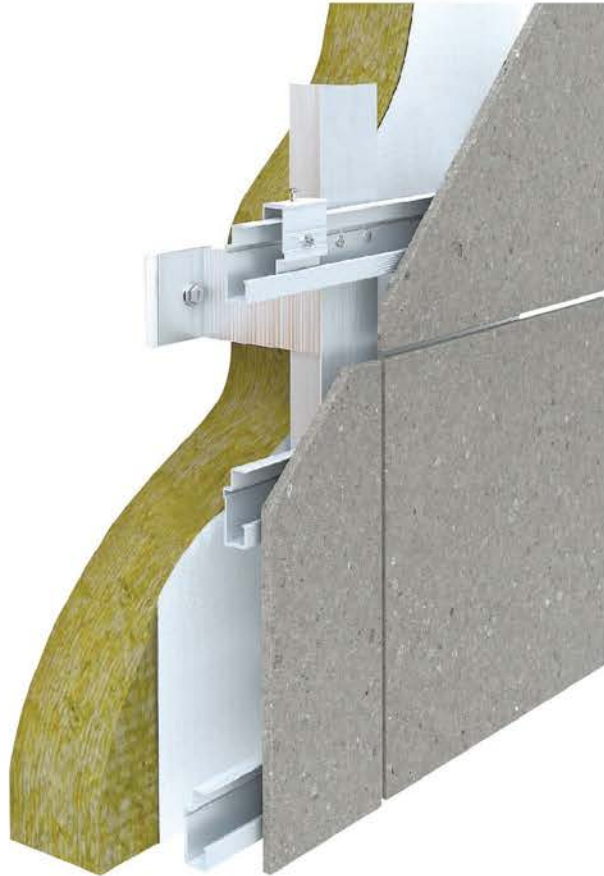
Offset of cladding material from the wall surface ranges from 62 to 555mm.

Mounting Configuration of Brackets:

Standard can mount to the wall.

Interfloor can mount to the floor slabs.

PFS-v-20 CONCEALED FIXING OF PANELS WITH THE USE OF UNDERCUT ANCHORS AND TRAG PROFILES



Depending on the selected cladding material, panels can be secured with the use of undercut anchors. Panels can run vertically, horizontally, in stacked bond and in running bond. Minimum joint size is 2mm.

Panels can be placed at any angle in the vertical plane. Quick mounting and removal of panels is possible.

Cladding material can be ceramics, porcelains, natural stone, recycled glass and fiber cement.

Maximum Panel Sizes: 4300mm × 2200mm both horizontally and vertically
Offset of cladding material from the wall surface ranges from 62 to 555mm.

Mounting Configuration of Brackets: Standard can mount to the wall.
Interfloor can mount to the floor slabs.

PFS-v-20 CONCEALED FIXING OF NATURAL STONE PANELS BY SAW KERF METHOD



The system allows for the mounting of all types of natural stone. Panels can be oriented vertically, horizontally, stacked and with a running bond.

Maximum Panel Sizes:

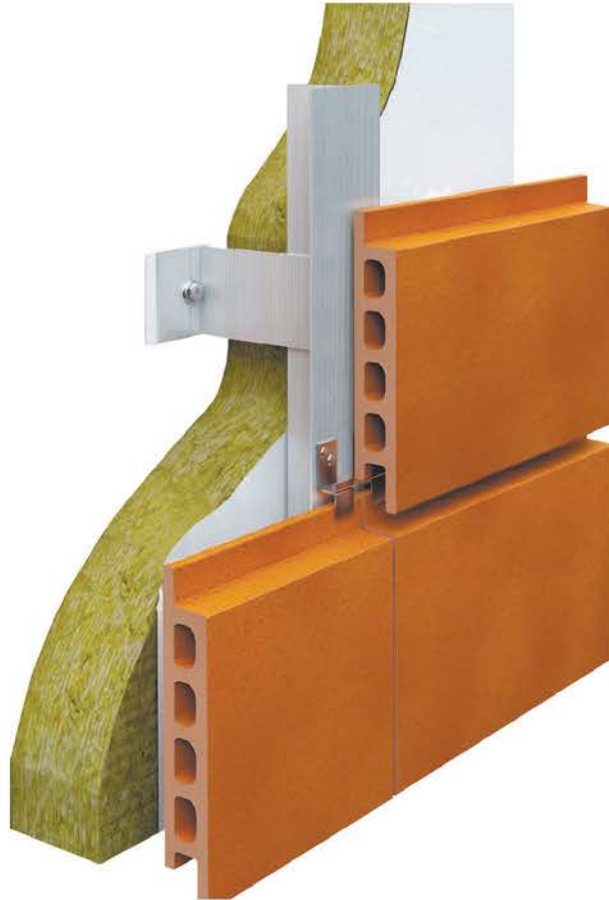
1500 × 1500mm, 1800 × 1250mm
both horizontally and vertically

Offset of panel from the wall surface ranges
from 62 to 540mm

Mounting Configuration of Brackets:

Standard can mount to the wall.
Interfloor can mount to the floor slabs.

PFS-v-350 FIXINGS FOR TERRACOTTA TILES



A wide range of aluminum and stainless steel clamps and bars allows for mounting of almost any type of terracotta tiles available on the market. Both horizontal and vertical mounting is possible. EDPM pressure clamps delivered with the aluminum cleats and bars prevent vibration and horizontal displacement of tiles.

Cladding material can be solid or hollow terracotta tiles.

Maximum Panel Sizes:

1800 × 1600mm both horizontally and vertically

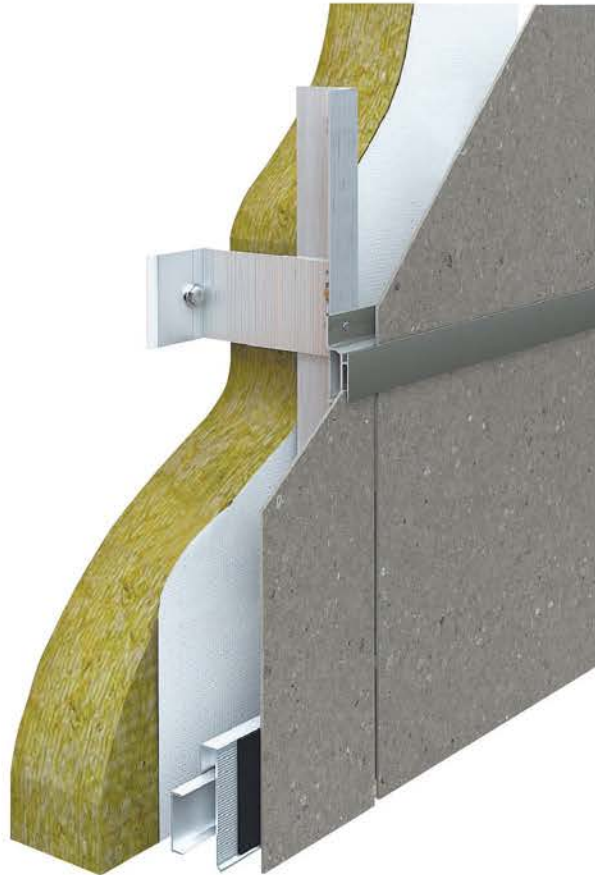
Offset of cladding from the wall surface ranges from 62 to 600mm

Mounting Configuration of Brackets:

Standard can mount to the wall.

Interfloor can mount to the floor slabs.

PFS-v-300 LARGE FORMAT PORCELAIN VISIBLE FIXING OF LARGE FORMAT PORCELAIN PANELS



The system allows for the mounting of large format porcelain panels that are a minimum of 3mm thick with dimensions of up to 3600 x 1800mm. Mechanical, adhesive and mixed mounting is possible. Orientation vertically, horizontally, stacked and running bond are all possible.

Maximum Cladding Sizes:

Up to 1800 × 3600mm both vertically and horizontally

Offset of cladding from the wall surface ranges from 67 to 520mm

Mounting Configuration of Brackets:

Standard can mount to the walls.

Interfloor can mount to the floor slabs.

FLOOR TO FLOOR STRONGBACK SYSTEM FOR USE WITH I-BEAMS AND BOX BEAMS

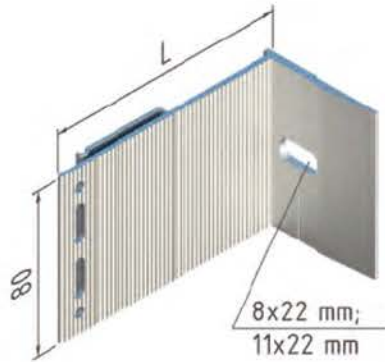


This system contains a minimum number of parts which makes it easy to install. The profile joint is outside of the bracket which allows for the placement of the horizontal joint at any convenient location relative to the floor height.

Maximum floor height is 6m.

PFS Medium

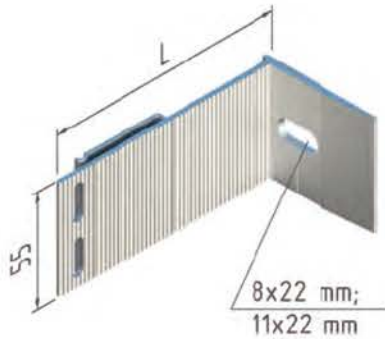
Fix point/sliding point bracket



L	Code
40 mm	17/40M-11
60 mm	17/60M-11
90 mm	17/90M-11
120 mm	17/120M-11
150 mm	17/150M-11
180 mm	17/180M-11
210 mm	17/210M-11
240 mm	17/240M-11

PFS Small

Sliding point bracket

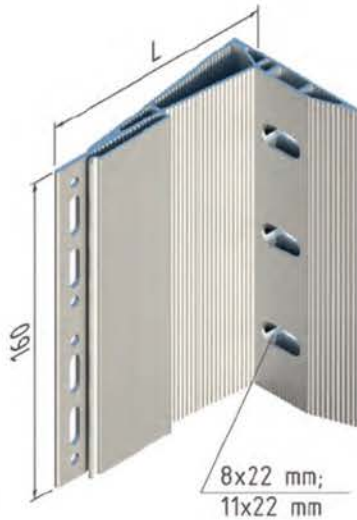


L	Code
40 mm	17/40S-11
60 mm	17/60S-11
90 mm	17/90S-11
120 mm	17/120S-11
150 mm	17/150S-11
180 mm	17/180S-11
210 mm	17/210S-11
240 mm	17/240S-11

PFS HORIZONTAL BRACKETS TO BE USED WITH ALL PROFILES

PFS Large

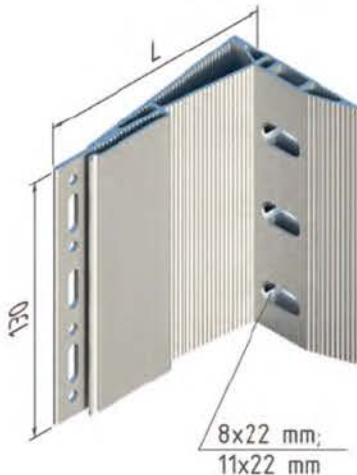
Fix point/sliding point bracket



L	Code
150 mm	17/X150L-11
180 mm	17/X180L-11
210 mm	17/X210L-11

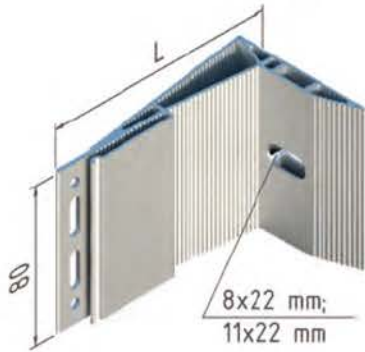
PFS Medium Large

Fix point/sliding point bracket



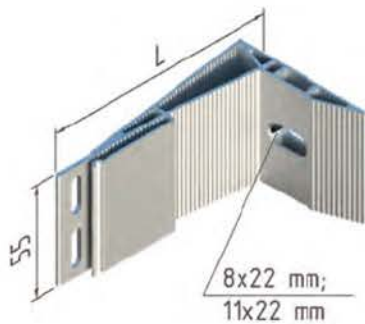
L	Code
150 mm	17/X150ML-11
180 mm	17/X180ML-11
210 mm	17/X210ML-11

PFS Medium
Fix point/sliding point bracket



L	Code
150 mm	17/X150M-11
180 mm	17/X180M-11
210 mm	17/X210M-11

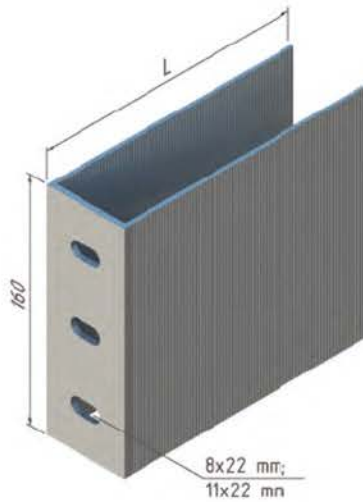
PFS Small
Sliding point bracket



L	Code
150 mm	17/X150S-11
180 mm	17/X180S-11
210 mm	17/X210S-11

PFS Large

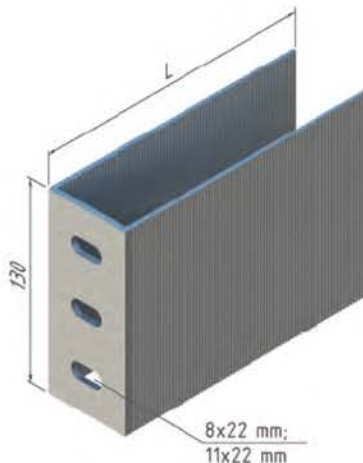
Fix point bracket with vertical floor to floor cladding application



L	Code
80 mm	17/U80L-11 (8)
180 mm	17/U180L-11 (8)
230 mm	17/U230L-11 (8)

PFS Medium Large

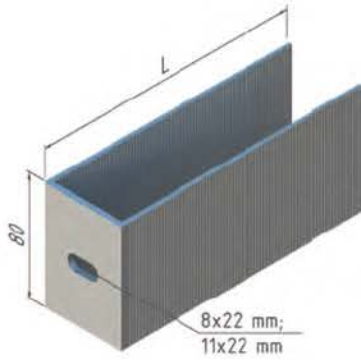
Fix point bracket with vertical floor to floor cladding application



L	Code
80 mm	17/U80ML-11 (8)
180 mm	17/U180ML-11 (8)
230 mm	17/U230ML-11 (8)

PFS Medium

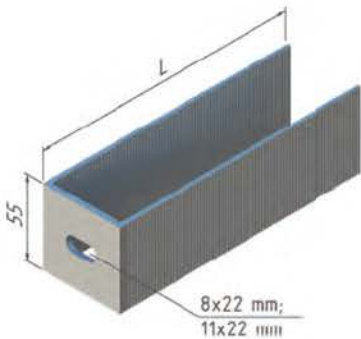
Fix point bracket with vertical floor to floor cladding application



L	Code
80 mm	17/U80M-11 (8)
180 mm	17/U180M-11 (8)
230 mm	17/U230M-11 (8)

PFS Small

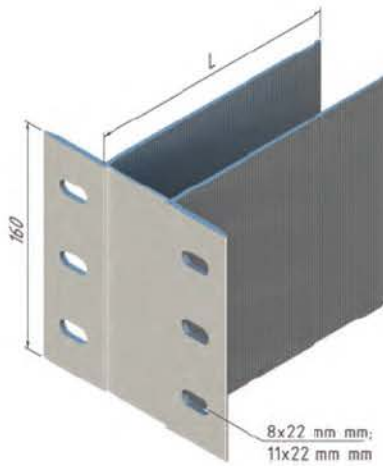
Fix point bracket with vertical floor to floor cladding application



L	Code
80 mm	17/U80S-11 (8)
180 mm	17/U180S-11 (8)
230 mm	17/U230S-11 (8)

PFS Large

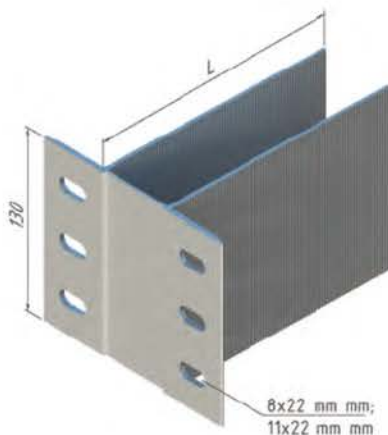
Fix point bracket with vertical floor to floor cladding application



L	Code
80 mm	17/UT80L-11 (8)
180 mm	17/UT180L-11 (8)
230 mm	17/UT230L-11 (8)

PFS Medium Large

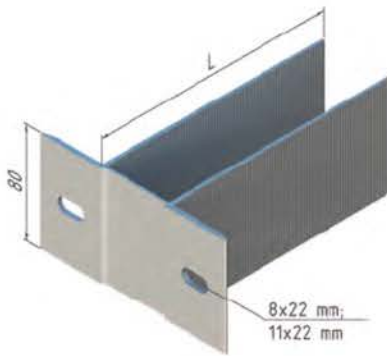
Fix point bracket with vertical floor to floor cladding application



L	Code
80 mm	17/UT80ML-11 (8)
180 mm	17/UT180ML-11 (8)
230 mm	17/UT230ML-11 (8)

PFS Medium

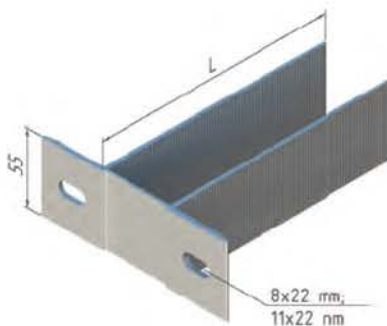
Fix point bracket with vertical floor to floor cladding application



L	Code
80 mm	17/UT80M-11 (8)
180 mm	17/UT180M-11 (8)
230 mm	17/UT230M-11 (8)

PFS Small

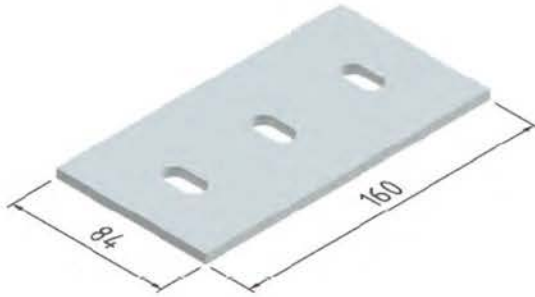
Fix point bracket with vertical floor to floor cladding application



L	Code
80 mm	17/U80S-11 (8)
180 mm	17/U180S-11 (8)
230 mm	17/U230S-11 (8)

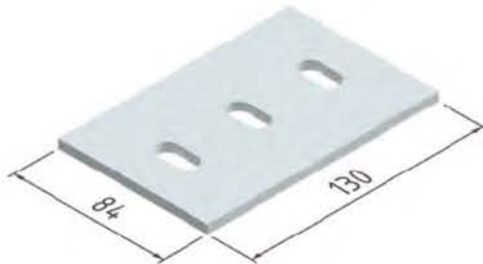
THERMAL INSULATORS

PFS Large



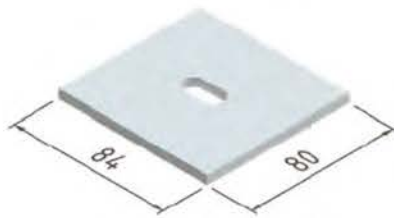
Code
10/Iso-L

PFS Medium Large



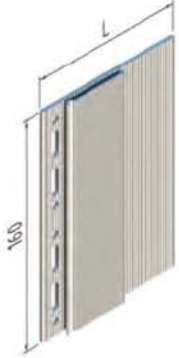
Code
10/Iso-ML

PFS Medium



Code
10/Iso-M

PFS Large Distance Element



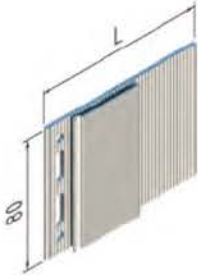
L	Code
106,5 mm	17/MDF-160
166,5 mm	17/MDF166-160

PFS Medium Large Distance Element



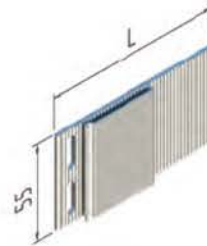
L	Code
106,5 mm	17/MDF-130
166,5 mm	17/MDF166-130

PFS Medium Distance Element



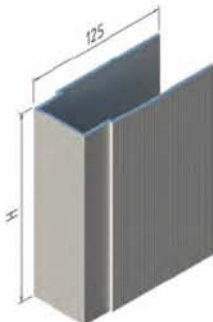
L	Code
106,5 mm	17/MDF-80
166,5 mm	17/MDF166-80

PFS Small Distance Element



L	Code
106,5 mm	17/MDF-55
166,5 mm	17/MDF166-55

PFS vertical floor to floor cladding



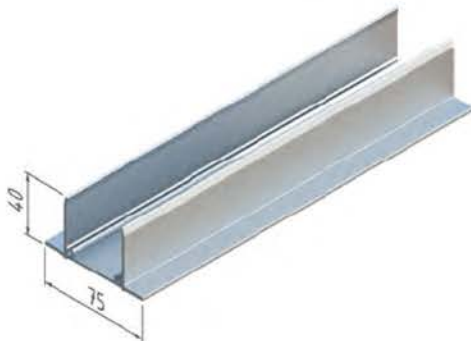
Size	H	Code
L (large)	160 mm	17/MDH-160
ML (medium large)	130 mm	17/MDH-130
M (medium)	80 mm	17/MDH-80
S (small)	55 mm	17/MDH-55

PFS Confox



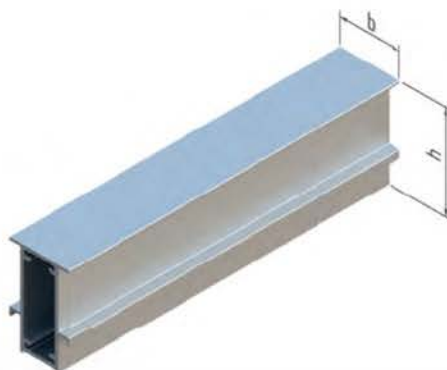
Code
17/MCF

*PFS Confox DT
vertical floor to floor cladding*



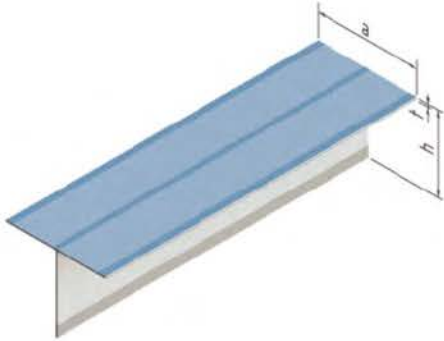
Code
17/MCF/76/D

*PFS Confox H
vertical floor to floor cladding*



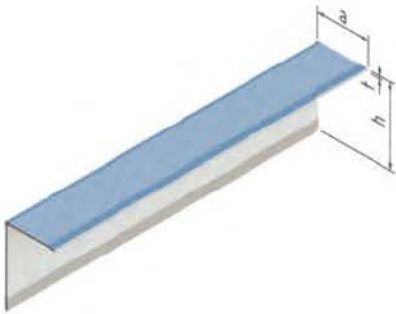
Code
17/MCF/73/46/250

PFS T-profile



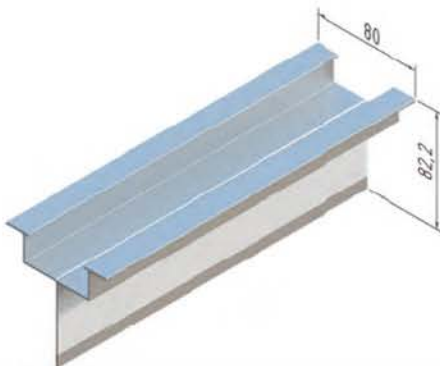
h	a	t	Code
62 mm	80 mm	2,1 mm	05/T62/80/2,1
62 mm	80 mm	1,8 mm	05/T62/80/1,8
40 mm	80 mm	1,8 mm	05/T40/80/1,8
62 mm	100 mm	2,1 mm	05/T62/100/2,1
62 mm	100 mm	1,8 mm	05/T62/100/1,8

PFS L-profile



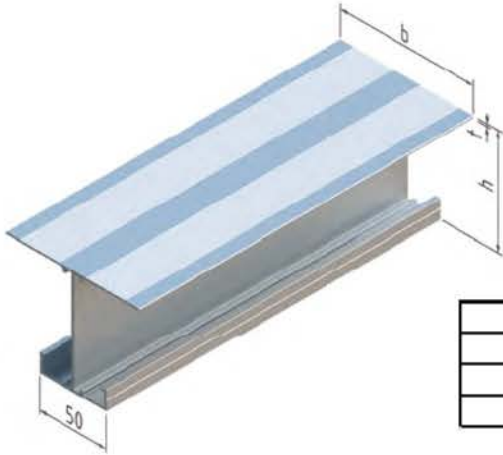
h	a	t	Code
62 mm	40 mm	2,1 mm	05/L62/40/2,1
62 mm	40 mm	1,8 mm	05/L62/40/1,8

PFS K-profile



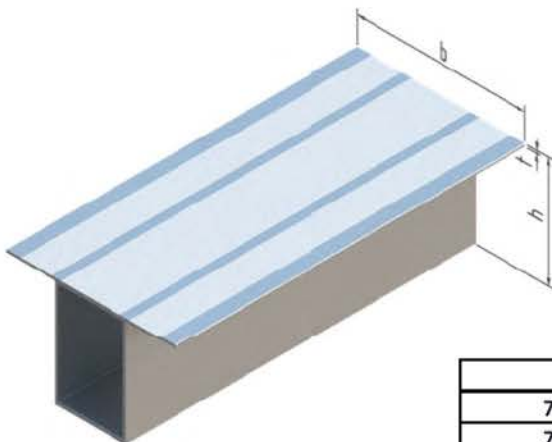
Code
05/K54/22

*PFS DT-profile
vertical floor to floor cladding application*



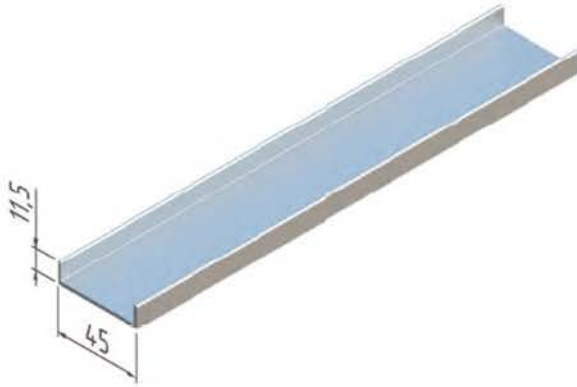
h	b	t	Code
80 mm	100 mm	1,8 mm	05/DT100/80/1,8
100 mm	100 mm	2,1 mm	05/DT100/100/2,1
130 mm	100 mm	1,8 mm	05/DT100/130/1,8

*PFS H-profile
vertical floor to floor cladding application*



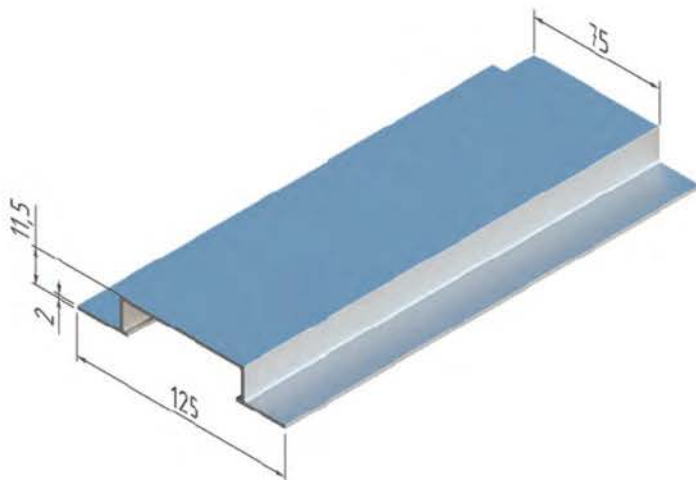
h	b	t	Code
79 mm	120 mm	2,1 mm	05/H120/79/50
78 mm	80 mm	2,1 mm	05/H80/78/50N

PFS U-profile



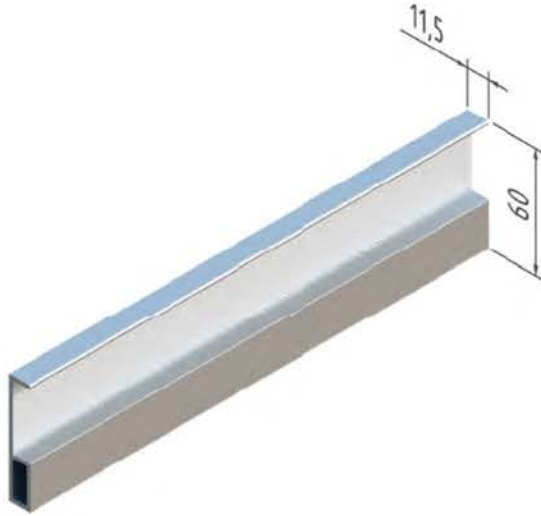
Code
05/U11,5/45/2

PFS Hat-profile



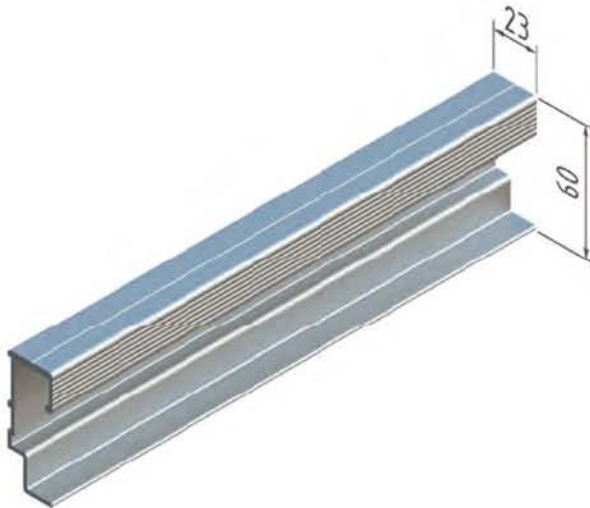
Code
05/Hat 70/20/25

PFS CX-profile



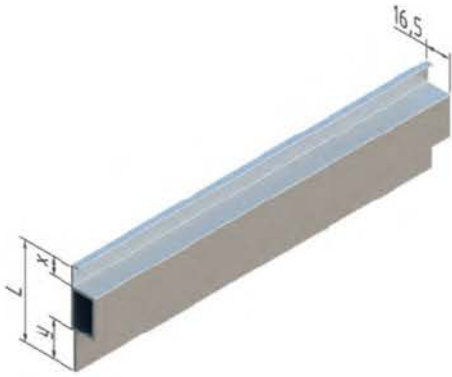
Code
05/CX-60

PFS Trag-profile



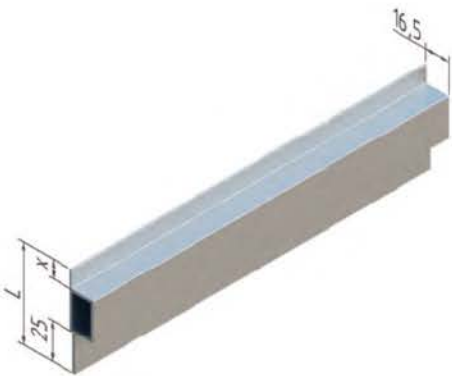
Code
05/A/Tragprofil (S5059)

PFS Cassette-profile #1



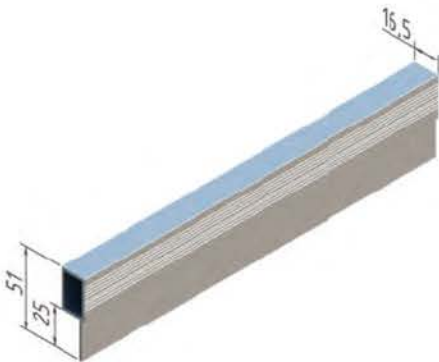
L	x	y	Code
64,2 mm	12 mm	25 mm	07/K26x17/1,9-1
59,2 mm	9 mm	23 mm	07/K26x17/1,9-1-2
59,2 mm	7 mm	25 mm	07/K26x17/1,9--1-3

PFS Cassette-profile #2



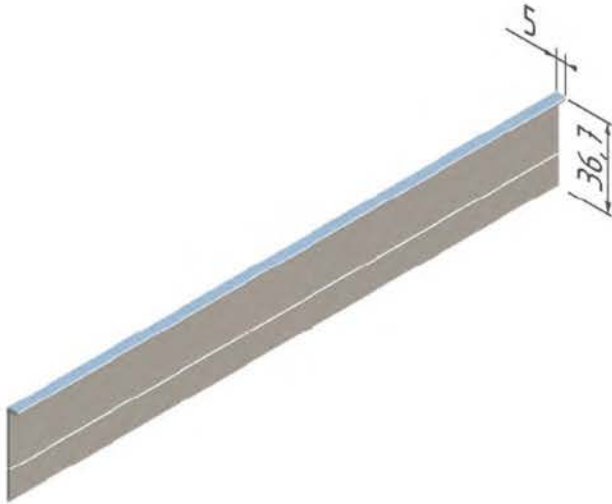
L	x	Code
62,7 mm	11,7 mm	07/K26x17/1,9-2
57,5 mm	6,5 mm	07/K26x17/1,9-2-1

PFS Cassette-profile #3



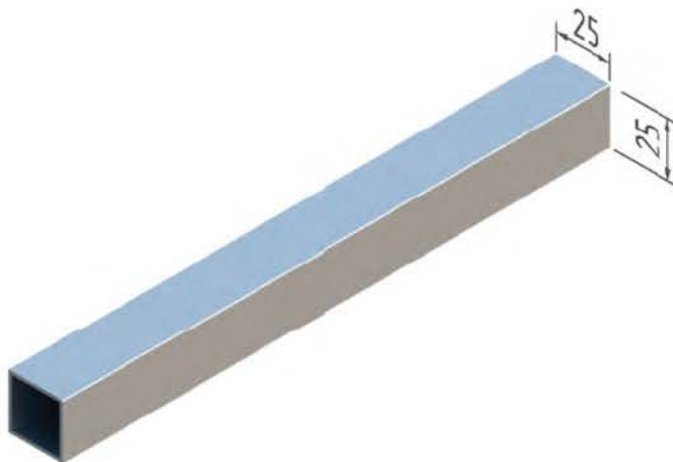
Code
07/K26x17/1,9-3

PFS Holder profile



Code
07/KSC

PFS Hollow profile 25x25x1.5



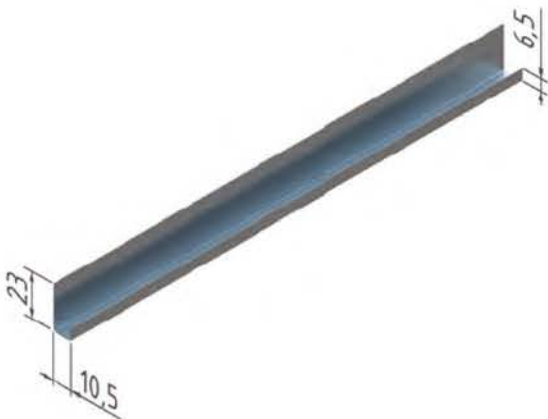
Code
Tube25x25x1,5

PFS Z-profile for terracotta type 1



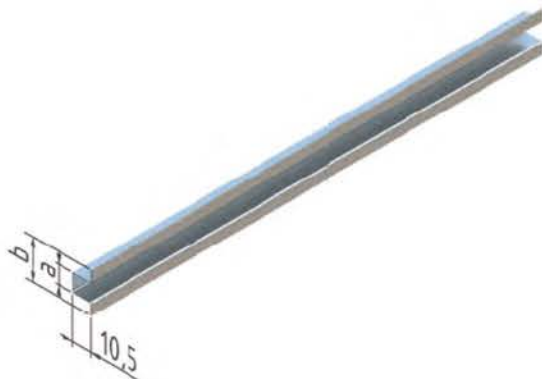
Code
07/Z14/16/30

PFS Middle profile for clinker (stainless steel)



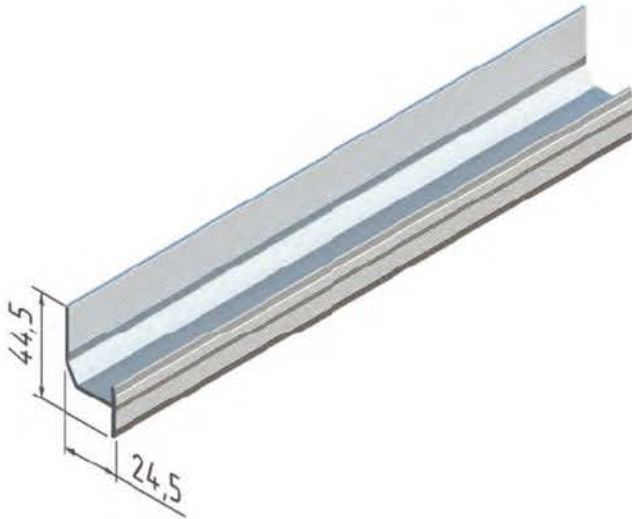
Code
05/KU10/ED

PFS Top/bottom profile for clinker (stainless steel)



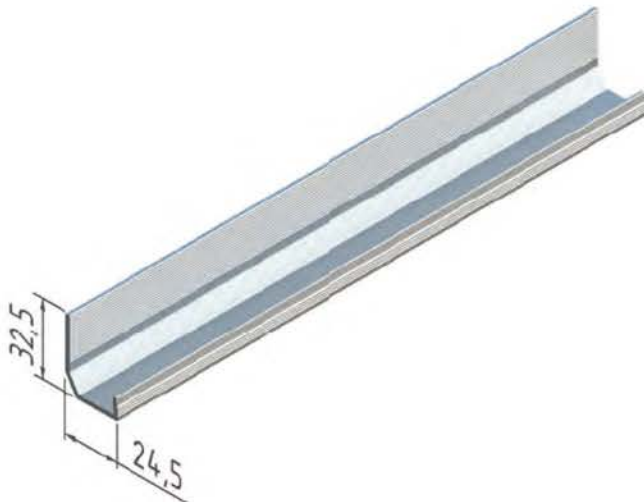
a	b	Code
10 mm	22 mm	05/KT10/ED-10
12 mm	24 mm	05/KT10/ED-12

PFS Bottom profile for stone façade (aluminum)



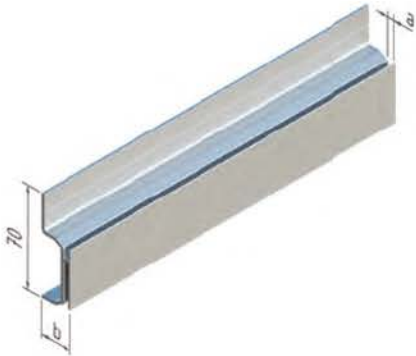
Code
05/KT23

PFS Middle profile for stone façade (aluminum)



Code
05/KU23

PFS Middle profile for ceramic slabs



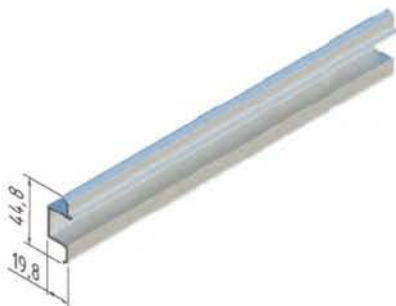
a	b	Code
4,5 mm	22,3 mm	05/S3,5
7 mm	24,8 mm	05/S6

PFS Bottom profile for ceramic slabs



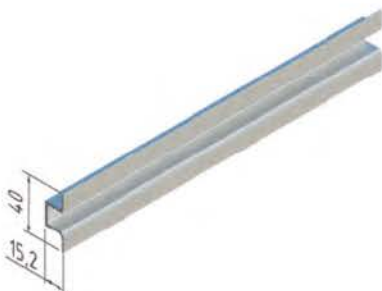
Code
05/SU6

PFS Middle multipurpose profile for ceramic slabs



Code
05/SU

PFS Holder profile for ceramic slabs



Code
05/SC

PFS Clamp/profile rubber (tile thickness 6mm)



Code
09/PR-6

PFS Clamp/profile rubber (tile thickness 8mm)



Code
09/PR-8

PFS Clamp/profile rubber (tile thickness 11mm)



Code
09/PR-11

*PFS Bottom clamp for terracotta
(stainless steel)*



Code
07/KU18/25E

*PFS Middle clamp for terracotta
(stainless steel)*



Code
07/KT18/25E

*PFS Top clamp for terracotta
(stainless steel)*



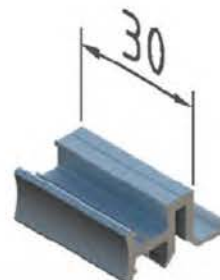
Code
07/KF18/25E

PFS Clamp type 1 (aluminum)



Code
07/KAGR1

PFS Clamp type 5 (aluminum)



Code
07/KAGR5

PFS Middle clamp for terracotta type 2 (aluminum)



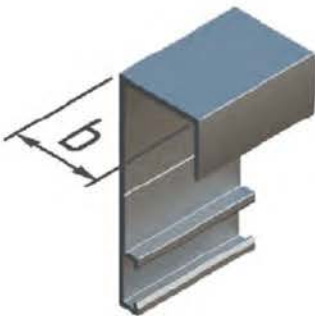
a	Code
14 mm	07/KAR-L
17 mm	07/KAR-L-1

PFS Bottom clamp for terracotta type 2 (aluminum)



b	Code
20,9 mm	07/KAU-L
24,9 mm	07/KAU-L-2

PFS Top clamp for terracotta type 2 (aluminum)



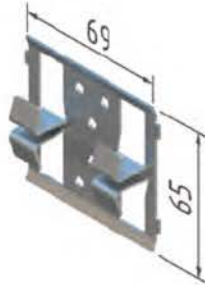
b	Code
21 mm	07/KAO-L
25 mm	07/KAO-L-2

PFS Middle clamp for terracotta type 3 (aluminum)



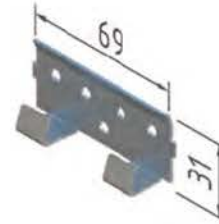
Code
07/KATR-L

PFS Middle clamp for ceramic façade (stainless steel)



Tile thickness	Code
8 mm	07/KEM4-8/13
10 mm	07/KEM4-10/13
12 mm	07/KEM4-12/13
13,5 mm	07/K2M4-13,5/15/1,2
16 mm	07/KEM4-16/16

PFS Bottom clamp for ceramic façade (stainless steel)



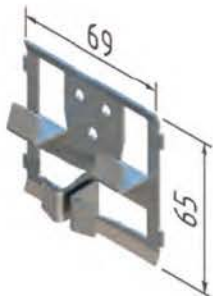
Tile thickness	Code
8 mm	07/KEU4-8/13
10 mm	07/KEU4-10/13
12 mm	07/KEU4-12/13
13,5 mm	07/K2U4-13,5/15/1,2
16 mm	07/KEU4-16/16

PFS Corner clamp for ceramic façade (stainless steel)



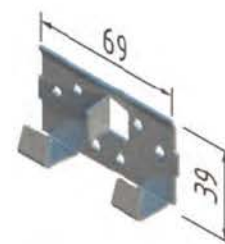
Tile thickness	Code
8 mm	07/KER4-8/13
10 mm	07/KER4-10/13
12 mm	07/KER4-12/13
13,5 mm	07/K2R4-13,5/15/1,2
16 mm	07/KER4-16/16

PFS Special middle clamp for ceramic façade (stainless steel)



Tile thickness	Code
8 mm	07/KEM4-8/13S
10 mm	07/KEM4-10/13S
12 mm	07/KEM4-12/13S
13,5 mm	07/K2M4-13,5/15/1,2S

PFS Special bottom/corner clamp for ceramic façade (stainless steel)



Tile thickness	Code
8 mm	07/KEU4-8/13S
10 mm	07/KEU4-10/13S
12 mm	07/KEU4-12/13S
13,5 mm	07/K2U4-13,5/15/1,2S

PFS Slide holder



b	Code
85,5 mm	17/S40-F
105,5 mm	17/S40-100F

PFS Position holder type 2



Code
17/SC18-F

PFS Cassette hanger



Code
14/1

PFS Cassette hanger type 2



Code
14/12

PFS Cassette hook



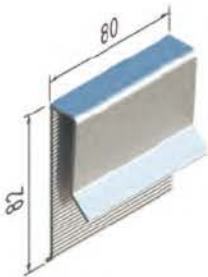
Code
14/FS

PFS Holder profile cap



Code
05/CP

PFS Clip



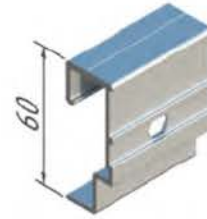
Code
14/FS-C

PFS Hanger for U-profile



Type of anchor	Code
Keil	13/ASK40
Ejot Duro-PT	13/ASK40-RL

PFS Hanger for Trag-profile



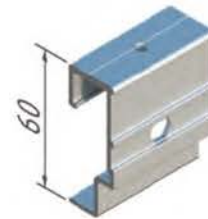
Type of anchor	Code
Keil	13/AS
Ejot Duro-PT	13/AS/60RL

PFS Leveling hanger for U-profile



Type of anchor	Code
Keil	13/AJK40
Ejot Duro-PT	13/AJK40-RL

PFS Leveling hanger for Trag-profile



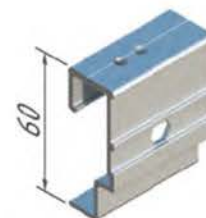
Type of anchor	Code
Keil	13/AJ
Ejot Duro-PT	13/AJ/60RL

PFS Leveling and fixing hanger for U-profile



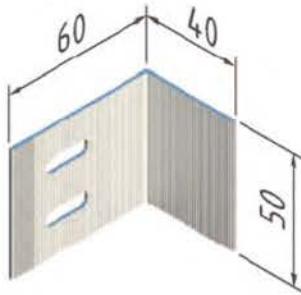
Type of anchor	Code
Keil	13/AJK40-F
Ejot Duro-PT	13/AJK40-RL-F

PFS Leveling and fixing hanger for Trag-profile



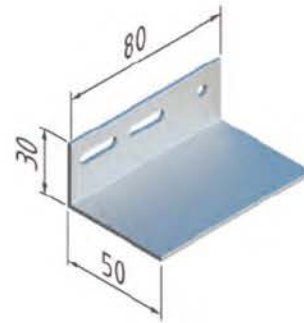
Type of anchor	Code
Keil	13/AJ-F
Ejot Duro-PT	13/AJ/60RL-F

*PFS Mounting element
60x50x40 mm*



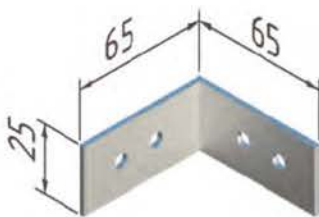
Code
20/9100

*PFS Mounting element
80x50x30 mm*



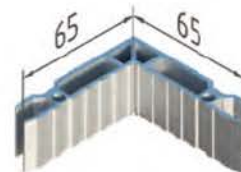
Code
20/305080

*PFS Mounting element
50x50x25 mm*



Code
20/505025

*PFS Corner connection element
for cassette profiles*



Code
14/RK-CK